

# KB100

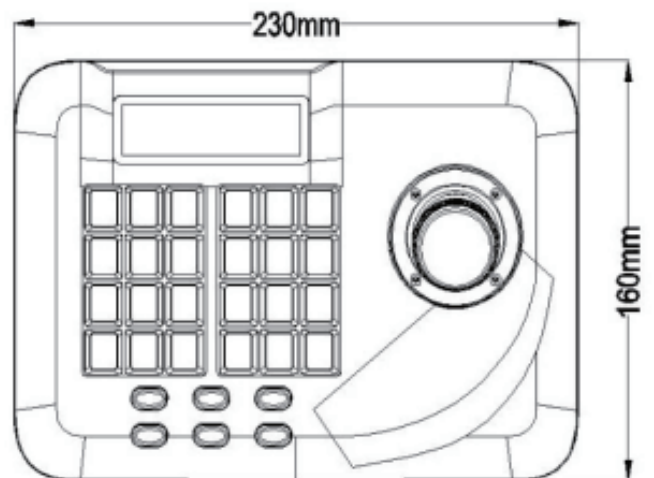
## PTZ Analog Keyboard

- 3D jostick controller, support setting Preset, Cruise, P/T/Z etc.
- Built-in with LCD screen display
- Rich interface, like RJ45, RS485, RS422 output etc.
- Pelco-D, Pelco-P Compatible



### Technical Parameters

Model	Analog Keyboard
Protocol	Pelco-D, Pelco-P
Interface	1xRJ45, 1xDC12V power, 1xRS485, 1xRS422
Baud Rate	2400/4800/9600/19200bps
Joystick	3D
Control Camera Quantity	32
OSD Menu	English
Built-in Screen Size	1" LCD
Working Temperature	0°C ~ +50°C
Working Humidity	≤95% Non Condensing
Dimensions	230mm*160mm*110mm
Power Supply	DC12V/1.5A



More details